

## Technical Specifications

### Relay Output Controller (ROC)

The ROC provides 16 sets of dry Form C (NO/NC) relay contacts for controlling any device that can respond to a contact closure or opening. These relay can be either turned ON , OFF or PULSED (on for a preset time duration) by manual operator request, scheduled operation under time zone control, or as a result be being linked to an alarm input.

#### ROC Technical Specifications

##### Electrical

Power 12 Volts DC  $\pm 15\%$ , 500mA,  
12 Volts, AC  $\pm 15\%$ , 750mA

##### Dimensions

Width 6.0 in. (152 mm)  
Length 8.0 in. (203 mm)  
Height 1.0 in. (2.6 mm)

##### Environment

Temperature 32°F-158°F, (0°C-70°C) ,  
Humidity 10%-95% (non-condensing)

##### Field Terminations

Removable screw-type terminal blocks

##### Communications

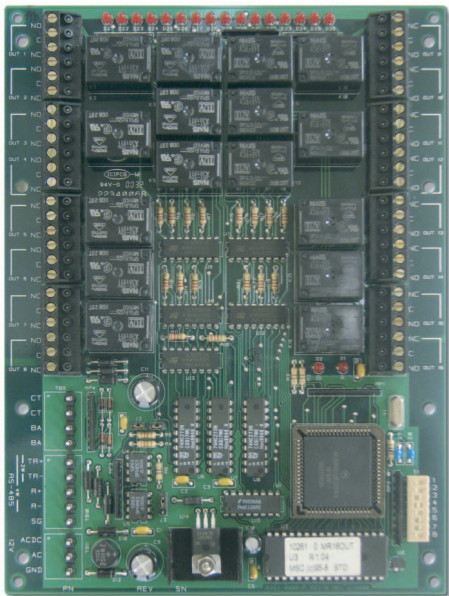
Protocol RS-485, 2-wire or 4-wire  
Distance 4,000 feet per channel (1200 m)  
Media Type Twisted Pair (Beldon 9841 cable)

##### Inputs

Tamper Switch 1 unsupervised  
Power Monitor 1 unsupervised

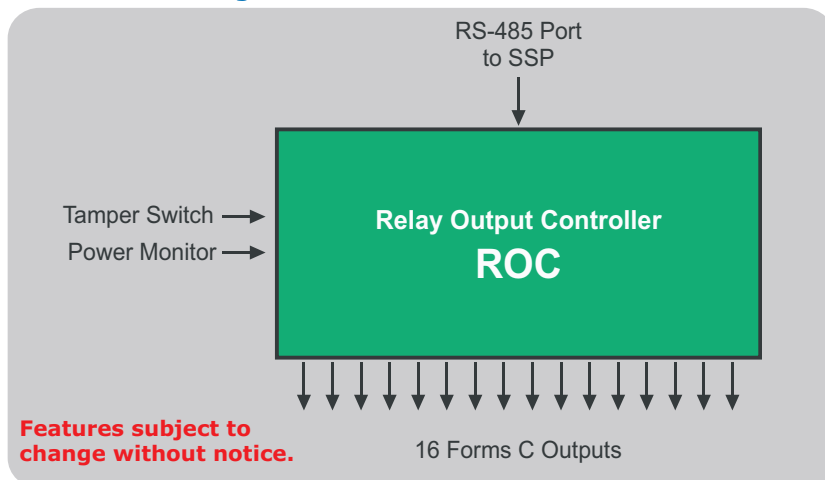
##### Outputs

Relay Outputs 16 Form-C, Max Current: 5  
Amps@30Vdc



The Relay Output Controller (ROC) operating with a PointGuard X Security System Processor (SSP) provides command output capabilities to PointGuard X Software packages.

#### Connection Diagram



Features subject to change without notice.



**Monitor Dynamics**  
Corporate Headquarters  
12500 Network Blvd.,  
Suite 303  
San Antonio, TX 78249

[WWW.MONITORDYNAMICS.COM](http://WWW.MONITORDYNAMICS.COM)